

SEALNOC GREASE

Water Sealing Grease for Shield Excavators

Sealnoc Grease is a water sealing grease specially developed to prevent underground water and injection agents from passing through the tail seals of shield excavators during the excavation of underground tunnels.

● Features

Sealnoc Grease is available in three grades, so you can select the appropriate grease for your application.

Application	Sealnoc Grease		
	MP refill	SP(N) refill (or initial filling)	FP initial filling
Features	<ul style="list-style-type: none"> Blocks out high pressure underground water. Provides outstanding greasing inside the excavator. (for automatic application) 	<ul style="list-style-type: none"> Suitable for initial filling of shield excavator. The penetration is relatively hard, so little grease escapes from the tail seal section. (for application by hand) In case of the small shield excavator, suitable for initial filling 	<ul style="list-style-type: none"> Blocks out high pressure underground water. Ideal for emergency water sealing applications

● Filling Pumps

Use the following pumps for filling Sealnoc Grease:

- Heishin Engineering & Equipment Co., Ltd.
Heishin Mark II 2 NTL 20 For pail cans.
- Yamada Corporation
Model 160 Pressurized Elevator Unit (SR160 M35 SAL)
For pail cans.

● Containers

180-kg drums, 20-kg pail cans

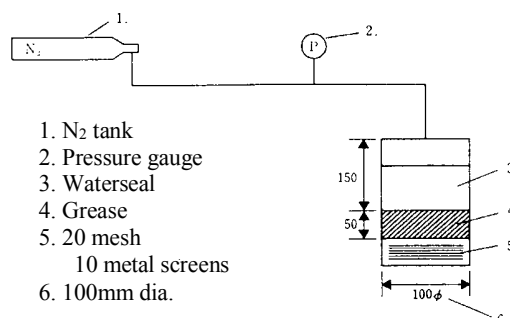
● Typical Properties

	Sealnoc Grease		
	MP	SP(N)	FP
External appearance	Brown paste	Brown paste	Brown paste
Soap base	Lithium soap	Lithium soap	Lithium soap
Presence of filler (fiber)	Present	Present	Present
Penetration (UW)	260	240	200
Evaporation (99°C, 22h) mass%	0.3	0.3	0.3
Copper strip corrosion (100°C, 24h)	No change	No change	No change
Slump (50°C, 24h) mm*1	0	0	0
Water pressure resistance test Pa*2	Over 2.94	Over 2.94	Over 2.94

*1 Slump: Tested in accordance with JIS A5751 4.4.

*2 Water pressure resistance test: The equipment used in the test is diagrammed below.

The pressure was increased in increments of 0.49MPa (held constant at each pressure for 10 min.), and the pressure of the flow of water through the metal screens at the bottom was obtained.



- N₂ tank
- Pressure gauge
- Waterseal
- Grease
- 20 mesh
10 metal screens
- 100mm dia.



Handling Precautions

▼ Follow these precautions when handling this product.

<p>! CAUTION</p> <p>Handling Precautions</p>	<ul style="list-style-type: none">● <u>Inflammation can occur if grease enters the eyes.</u> When handling this grease, wear <u>protective goggles</u> or take other measures to <u>prevent eye contact</u>.● <u>Inflammation can occur if grease comes into contact with skin.</u> When handling this grease, wear <u>protective gloves</u> or take other measures to <u>prevent skin contact</u>.● Do not eat this grease. (Swallowing this grease can cause diarrhea and nausea.)● <u>When opening the container, wear protective gloves</u> in order to avoid cutting your hands.● <u>Keep out of reach of children.</u>● Read the Material Safety Data Sheet (MSDS) for this product before using the product. Obtain the Material Safety Data Sheet from where you purchased the product.
<p>First Aid</p>	<ul style="list-style-type: none">● In case of eye contact, rinse eyes thoroughly with clean water and consult with a physician.● In case of skin contact, wash skin thoroughly with soap and water.● If this grease is swallowed, do not induce vomiting. Consult with a physician immediately.
<p>Disposal of Used Grease and Containers</p>	<ul style="list-style-type: none">● Do not apply pressure to empty containers. The containers may burst if pressure is applied.● Do not weld, heat, drill, or cut the containers. The remaining grease may ignite and the containers may explode.● Follow all applicable laws and regulations when disposing of used grease or containers. If you are unsure of the proper disposal methods, consult first with the seller of the grease.
<p>Storage Method</p>	<p>Seal the container tightly after use in order to prevent dirt, moisture, etc., from entering the grease. Store in a dark location. Avoid direct sunlight.</p>